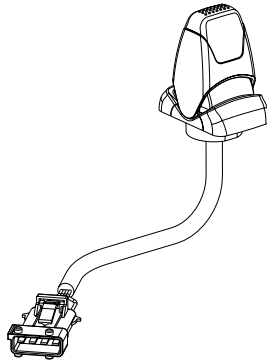


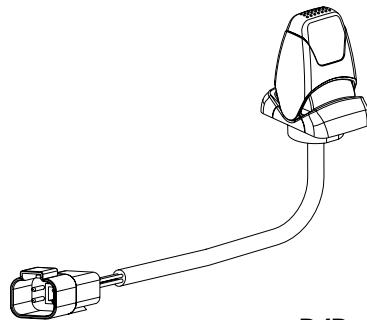
## Wiring diagram



Pin #	Signal/Function	C1
1	GND	
2	POWER (+5Vdc)	
3	OUT-A (primary)	
4	OUT-B (secondary)	

Mating connector kit: 5031097

### -S (Saab AMP/Tyco)



### -D (Deutsch)

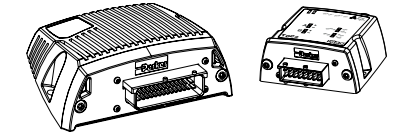
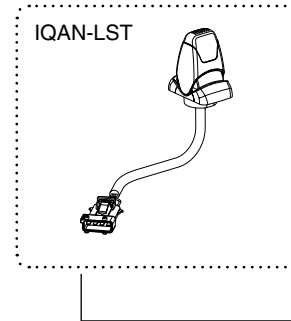
Pin #	Signal/Function	C1	Pin #	Signal/Function
4	OUT-B (secondary)		1	GND
3	OUT-A (primary)		2	POWER (+5Vdc)

Mating connector kit: 5031113

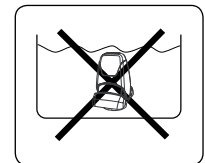
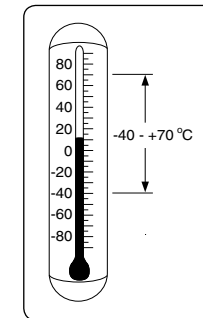
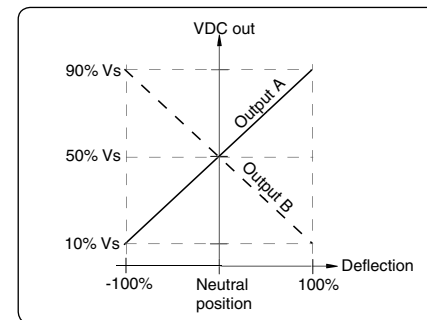
## Installation IQAN-LST

Publ.no: HY17-8301-IS/UK  
Ed. 04/2009

task oriented control  
or expansion module



### Dual sensor output



### ⚠ WARNING

**FAILURE OR IMPROPER SELECTION OR IMPROPER USE OF THE PRODUCTS AND/OR SYSTEMS DESCRIBED HEREIN OR RELATED ITEMS CAN CAUSE DEATH, PERSONAL INJURY AND PROPERTY DAMAGE.**

This document and other information from Parker Hannifin Corporation, its subsidiaries and authorized distributors provide product and/or system options for further investigation by users having technical expertise. It is important that you analyze all aspects of your application, including consequences of any failure, and review the information concerning the product or system in the current product catalogue. Due to the variety of operating conditions and applications for these products or systems, the user, through its own analysis and testing, is solely responsible for making the final selection of the products and systems and assuring that all performance, safety and warning requirements of the application are met.

The products described herein, including without limitation, product features, specifications, designs, availability and pricing, are subject to change by Parker Hannifin Corporation and its subsidiaries at any time without notice.

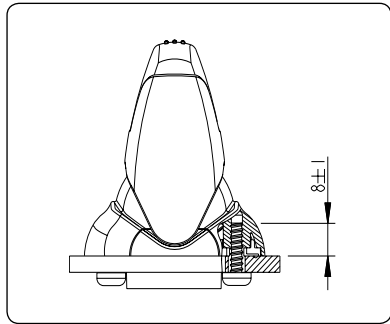
For further information see:

HY17-8364/UK Instructions IQAN-LST

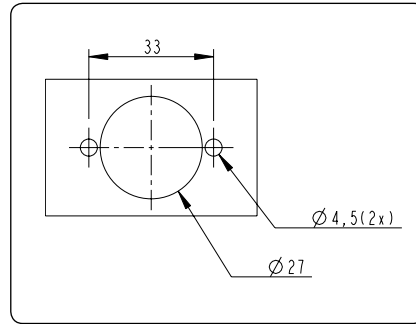


Eng no: M5010026A  
Ed. C

# IQAN-LST



Required screw engagement

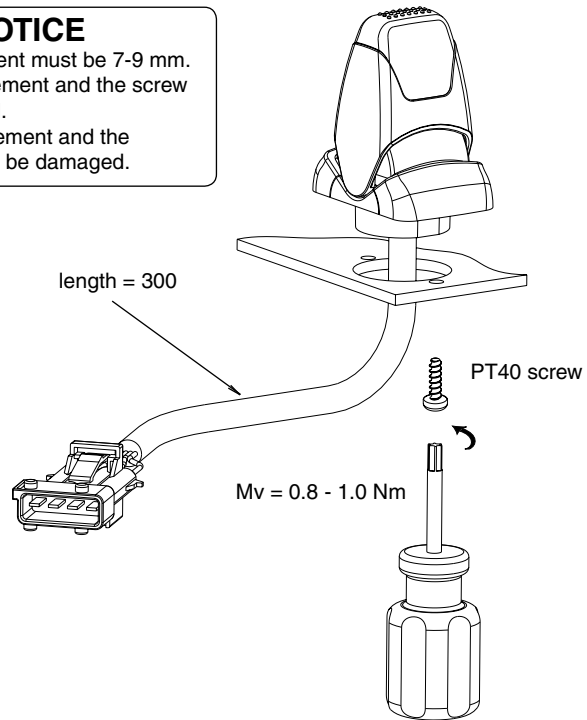


Mounting hole dimensions

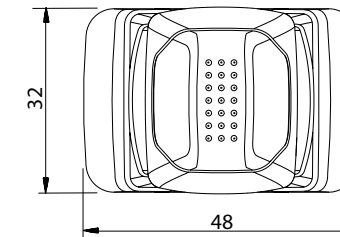
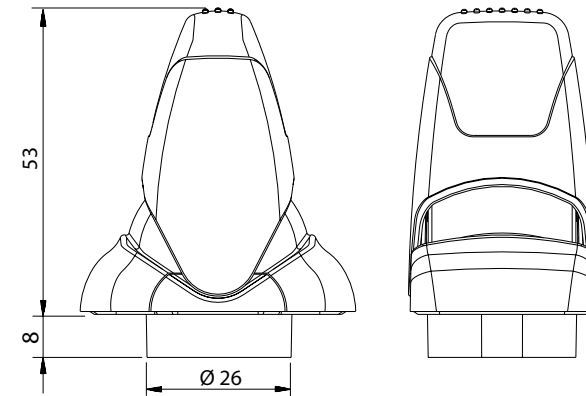
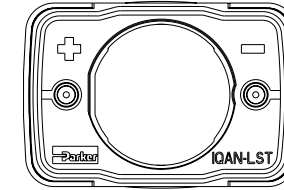
## ! NOTICE

Screw engagement must be 7-9 mm.

- Less engagement and the screw may not hold.
- More engagement and the housing may be damaged.



# IQAN-LST



unit = mm